



## **DONAU ALPHA**

**RAPID RADIAL DRILLING MACHINES**

[www.donau-wzm.de](http://www.donau-wzm.de)



# DONAUALPHA RAPID RADIAL DRILLING MACHINES

Versatile, Productivity and User-friendly are not necessarily conflicting when creating an economic rapid radial drilling machine.

With our **DONAUALPHA** - made in Altenmarkt/Germany - we have proven this concept, to your advantage.

The **DONAUALPHA** is the opening model at the range of **DONAU** Rapid Radial drilling machines.

Rigid grey-cast iron design, simple operation, 25 mm drilling capacity in E 335 (St 60) for an unlimited workpiece spectrum are making this machine attractive for all kinds of machining applications.



## ADVANTAGES AND FEATURES

Up to 3 fixed working stations are delivering a maximum of flexibility for machining large and small workpieces.

Swivel tables are useful for drilling and tapping workpieces at angular positions.

Radial arm travel of 900 mm, W-axis (column) height adjustment of 430mm and an angular move of 325 degrees are enabling workpieces up to 1400 mm height.

Easy-sliding, simultaneous movement in 3 Axes, straight to the drilling or tapping position.

The self-centering drill head is positioning itself exactly into the center holes.

Concentric facing is made possible with a self-centering taper into the drill hole.

The self-centering position accuracy is allowing core hole drilling, facing and tapping in series work and is therefore avoiding frequent tool changes.

Automatic Axes clamping when arriving at the drill position.

The **DONAUALPHA** is designed to modern ergonomics for non-fatigue machine operation.

The working table height of 905 mm and the always optimal position to the spindle head, make it easy for the operator to stand upright and to have a best possible view on the machining process.

Productivity through pre fixture setup at working stations.

Anytime retrofit options are enlarging the possibilities to accomplish most different application tasks.

# MACHINE DATA

# DIMENSIONS

## TYPE DONAUALPHA

### MACHINING CAPACITIES:

Drilling capacity (plain) E 335 (St 60)	max. Diam. 25 mm
Drilling capacity (plain) EN-GJL 200 (GG 20)	max. Diam. 32 mm
Tapping capacity E 335 (St 60)	max. M 20
Tapping capacity EN-GJL 200 (GG 20)	max. M 24

### WORKING RANGE

Radial arm travel	max. 900 mm
Column height adjustment (W-axis)	max. 430 mm
Spindle travel (Z-axis)	max. 140mm
Distance spindle nose to table surface	min. 150 mm
[Distance spindle nose to Floor plate surface]	[min. 955 mm]
Drilling radius	max. 720 mm
	[min. 420 mm]
	max. 1320 mm
Angular movement	max. 325° degrees

### WORKING TABLE

Clamping surface	1200x600 mm
T-slots accord. to DIN 650 in X	4x Distance 125 mm
Machine table height	905 mm
At both 45° reverse sides of the machine in the machine base, each 2 vertical T-slots	18 H12
Operation / Control	by hand

### MAIN SPINDLE DRIVE

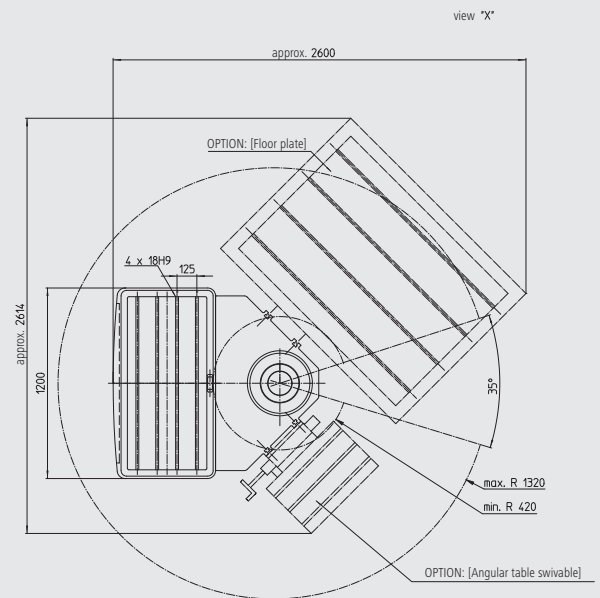
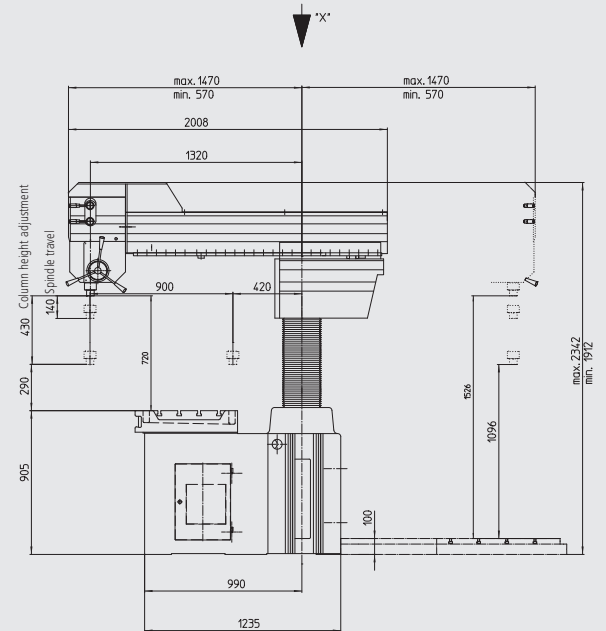
AC-Motor	
Driving capacity (100 % intermitted duty)	max. 1,1 / 1,6 kW
Torque (100 % intermitted duty)	max. 208 Nm
Spindle speed range 18 steps	60 - 3050 min <sup>-1</sup>
Morse taper	MT 4
Tool change	by hand

### ADVANCE FEED

AC-Servo drive	
Advance feed speed (Z-Axis)	0,075 - 0,15 - 0,30 mm/rev
Advance feed force (Z-axis)	max 5 500 N

### MACHINE WEIGHT

appr. 1800 kg



Coolant device  
(Pos. 10.10)



Angular table (Pos. 2.30)



Intermediate table (Pos. 2.50)  
with T-slot plate (Pos. 2.20)

### OPTIONS:

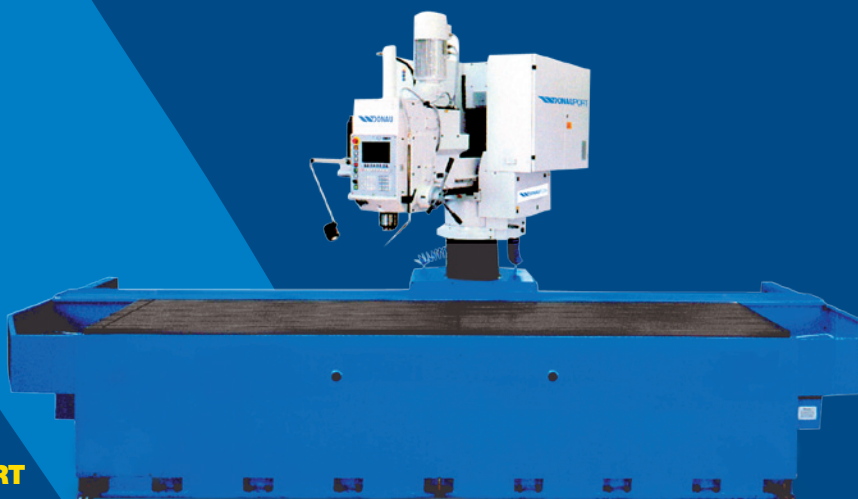
- Coolant device
- Floor table
- T-slot plate
- Angular table
- Swivel table
- Intermediate table
- Clamping cube
- Special machine lacquering
- Service-Solutions



**DONAUFLEX**



**DONAUMERIC**



**DONAUPORT**

## **DONAU WERKZEUGMASCHINEN GMBH**

Harald-Friedrich-Str. 2-8  
D-83352 Altenmarkt/Alz. Germany

Postfach/ P.O. Box 1169  
D-83352 Altenmarkt/Alz. Germany

Tel./Phone: +49 (0) 8621/88-0  
Fax: +49 (0) 8621/88-413

E-Mail: [info@donau-wzm.de](mailto:info@donau-wzm.de)  
Internet: [www.donau-wzm.de](http://www.donau-wzm.de)

